

HZL - 353Z, 355Z, 357Z Series

INSTRUCTION MANUAL



Attention

Please read this instruction manual before using the machine as it contains important operational and safety information. Keep this manual accessible so that you may refer to it at anytime while operating the machine.

“IMPORTANT SAFETY INSTRUCTIONS”

When using an electrical appliance, basic safety precautions should always be followed, including the following: Read all instructions before using this sewing machine.

“**DANGER** ____ To reduce the risk of electric shock:”

1. The appliance should never be left unattended when plugged in.
2. Always unplug this appliance from the electric outlet immediately after using and before cleaning.


“**WARNING** ____ To reduce the risk of burns, fire, electric shock, or injury to persons:”

1. Do not use the appliance as a toy. Caution is advised when the appliance is used by children, or near children. This sewing machine can be used by children aged from 8 years and above and persons with reduced physical, sensory or mental capabilities or lack of experience and knowledge if they have been given supervision or instruction concerning use of the sewing machine in a safe way and understand the hazards involved. Children shall not play with the sewing machine. Cleaning and user maintenance shall not be made by children without supervision.
2. Use this appliance only for its intended use as described in this manual. Use only attachments recommended by the manufacturer as contained in this manual.
3. Never operate this appliance if it has a damaged cord or plug, if it is not working properly, if it has been dropped or damaged, or dropped into water. Return the appliance to the nearest authorized dealer or service center for examination, repair, electrical or mechanical adjustment.
4. Never operate the appliance with any air openings blocked. Keep ventilation openings of the sewing machine and foot control free from the accumulation of lint, dust, and loose cloth.
5. Keep fingers away from all moving parts. Special care is required around the sewing machine needle.
6. Always use the proper stitch plate. The wrong plate can cause the needle to break.
7. Do not use bent needles.
8. Do not pull or push fabric while stitching. It may deflect the needle causing it to break.
9. Switch the sewing machine off ("O") when making any adjustments in the needle area, such as threading needle, changing needle, threading bobbin, or changing presser foot.

10. Always unplug the machine from the electrical outlet when removing covers, when lubricating or when making any other user servicing adjustments mentioned in the instruction manual.
11. Never drop or insert any object into any opening.
12. Do not use outdoors.
13. Do not operate where aerosol (spray) products are being used or where oxygen is being administered.
14. To disconnect, turn all controls to the off ("O") position, then remove plug from outlet.
15. Do not unplug by pulling on cord. To unplug, grasp the plug, not the cord.
16. Basically, the machine should be disconnected from the electricity supply when not in use.
17. If the power cord of this appliance is damaged, it must be replaced with a special cord by your nearest authorized dealer or service center.
18. (Except USA/Canada) This machine is provided with double insulation. Use only identical replacement parts. See instructions for servicing Double-Insulated machine.
19. When you sew slowly for long time, machine will have heat or unusual smell occurs. In this case, disconnect the plug from the wall outlet and use it after a while. Contact your nearest dealer if it still occurs.
20. Don't use the machine if it's wet or in humid environment.
21. The sewing machine is equipped with a LED lamp. If the LED lamp is broken, it must be replaced by the manufacturer or its service agent in order to avoid a hazard.
22. Never place anything on the foot control.
23. The machine must only be used with foot controller type KD-1902/FC-1902 (110-120V), KD-2902/FC-2902D (220-240V).
24. The sound pressure level under normal operating conditions is 75dB(A).
25. Keep the instruction at a suitable place that close to the machine, and hand it over if you give the machine to a third party.

“SERVICING DOUBLE-INSULATED PRODUCTS (Except USA / Canada)”

In a double-insulated product, two systems of insulation are provided instead of grounding. No grounding means is provided on a double-insulated product nor should a means for grounding be added to the product. Servicing a double-insulated product requires extreme care and knowledge of the system and should only be done by qualified service personnel. Replacement parts for a double-insulated product must be identical to those parts in the product. A double-insulated product is marked with the words DOUBLE INSULATION or DOUBLE INSULATED.

The symbol  may also be marked on the product.

"SAVE THESE INSTRUCTIONS"

"This sewing machine is intended for household use only."

Congratulations on your purchase of a JUKI sewing machine.



Please be sure to read safety precautions in "To use the sewing machine safely" in the Instruction Manual before use to fully understand the functions and operating procedures of the sewing machine so as to use the sewing machine for a long time.

After you have read the Instruction Manual, please be sure to keep it together with the warranty so that you can read it whenever necessary.











To use the sewing machine safely

Marks and pictographs included in the Instruction Manual and shown on the sewing machine are used so as to ensure safe operation of the sewing machine and to prevent possible risk of injury to the user and other people.

Warning marks are used for different purposes as described below.

 WARNING	Indicates that there is a possible risk of death or serious injury if this mark is ignored and the sewing machine is used in a wrong manner.
 CAUTION	Indicates the operation, etc. which can cause a possible risk of personal injury and/or physical damage if this mark is ignored and the sewing machine is used in a wrong manner.

Pictographs mean the following:

	Danger warning which is not specified		There is a risk of electrical shock		There is a risk of fire		There is a risk of injury to hands, etc.
	Prohibited matter which is not specified		Disassembly/alteration is prohibited		Do not place fingers under the needle		Do not pour oil, etc.
	Generally required behavior		Disconnect the power plug				

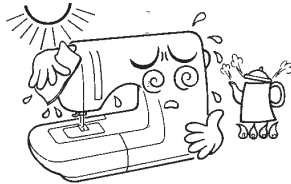
⚠ WARNING

For the combination of the material and the thread and needle, in particular, refer to the explanation table in "Replacement of the needle".

If the needle or thread does not match the material used such as in the case that an extra heavyweight material (e.g., denim) is sewn with a thin needle (#11 or higher), the needle can break resulting in an unexpected personal injury.

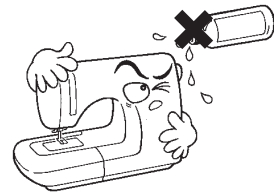
Other precautions

- Do not put the sewing machine under the direct sunlight or in a humid place.



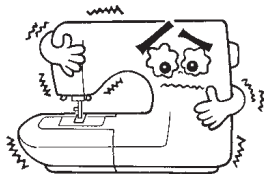
- Do not wipe the sewing machine with solvent such as thinner.

When the sewing machine is soiled, put a small quantity of neutral detergent on a piece of soft cloth and carefully wipe off the sewing machine with it.

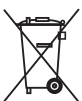


Be aware that the following state can take place since the sewing machine incorporates semi-conductor electronic parts and precise electronic circuits.

- Be sure to use the sewing machine in the temperature range from 5°C to 40°C. If the temperature is excessively low, the machine can fail to operate normally.



* The operating temperature of the sewing machine is between 5°C and 40°C. Do not use the sewing machine under the direct sunlight, near the burning things such as a stove and candle, or in a humid place. By so doing, the temperature in the interior portion of the sewing machine can rise or the coating of the power cord can melt, causing fire or electrical shock.



Do not dispose of electrical appliances as unsorted municipal waste, use separate collection facilities.

Contact your local government for information regarding the collection systems available.

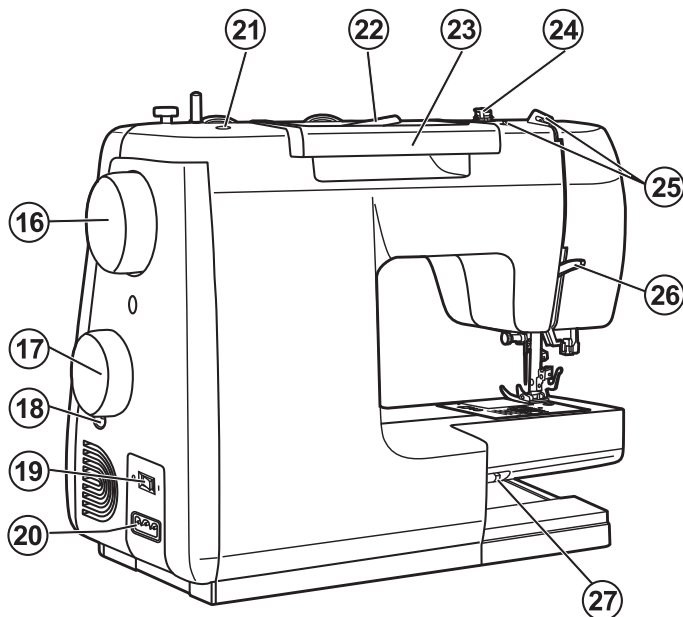
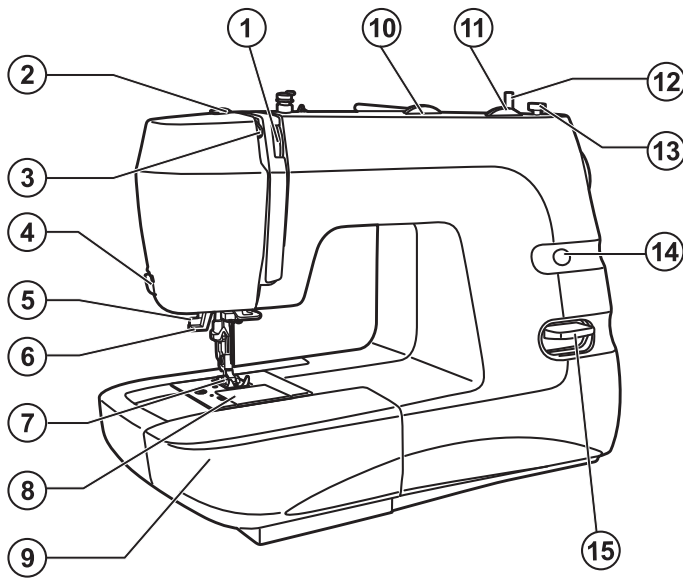
If electrical appliances are disposed of in landfills or dumps, hazardous substances can leak into the groundwater and get into the food chain, damaging your health and well-being.

When replacing old appliances with new ones, the retailer is legally obligated to take back your old appliance for disposal at least for free of charge.

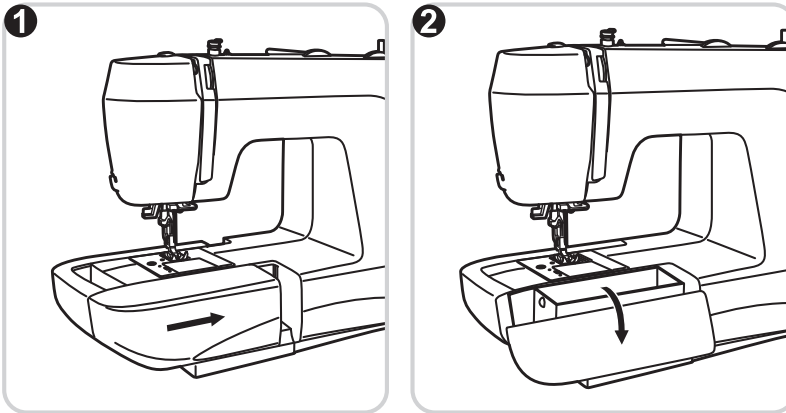
List of contents

Details of the machine.....	22
Fitting the snap-in sewing table.....	24
Accessories.....	24
Connecting machine to power source.....	26
Two-step presser foot lever.....	28
Attaching the presser foot holder.....	28
Winding the bobbin.....	30
Inserting the bobbin.....	32
Threading the upper thread.....	34
Automatic needle threader.....	36
Bringing up the lower thread.....	36
Reverse sewing.....	38
Removing the work.....	38
Cutting the thread.....	38
Changing sewing directions.....	38
Inserting the needle.....	40
Thread tension.....	40
Adjusting presser foot pressure.....	42
How to drop feed dog.....	42
Matching needle / fabric / thread.....	44
How to choose your pattern.....	48
Straight stitching and needle position.....	50
Zigzag stitching.....	50
Sewing on buttons.....	52
How to sew buttonholes.....	54
Left and right side balance for buttonhole.....	56
Zipper and piping.....	56
Stitch selection.....	58
3-step zig-zag.....	58
Blind hem.....	60
Smocking stitch.....	60
Overlock stitches.....	62
Quilting.....	62
Patch work.....	64
Attaching lace.....	64
Practical stitches.....	66
Darning.....	68
Applique.....	68
Monogramming and embroidering with embroidery hoop*.....	70
Maintenance.....	72
Replacing the LED Lamp.....	72
Trouble shooting guide.....	74

Details of the machine



1. Tension dial
2. Presser foot pressure
3. Thread take up lever
4. Thread cutter
5. One step buttonhole lever
6. Automatic threader
7. Presser foot
8. Needle plate cover
9. Sewing table and accessory box
10. Stitch width dial
11. Stitch length dial
12. Bobbin winder spindle
13. Bobbin winder stopper
14. Stitch display
15. Reverse lever
16. Handwheel
17. Patten selector dial
18. Buttonhole balance control dial
19. Main switch
20. Main plug socket
21. Hole for second spool pin
22. Spool pin
23. Handle
24. Bobbin thread guide
25. Upper thread guides
26. Presser foot lever
27. Drop feed control

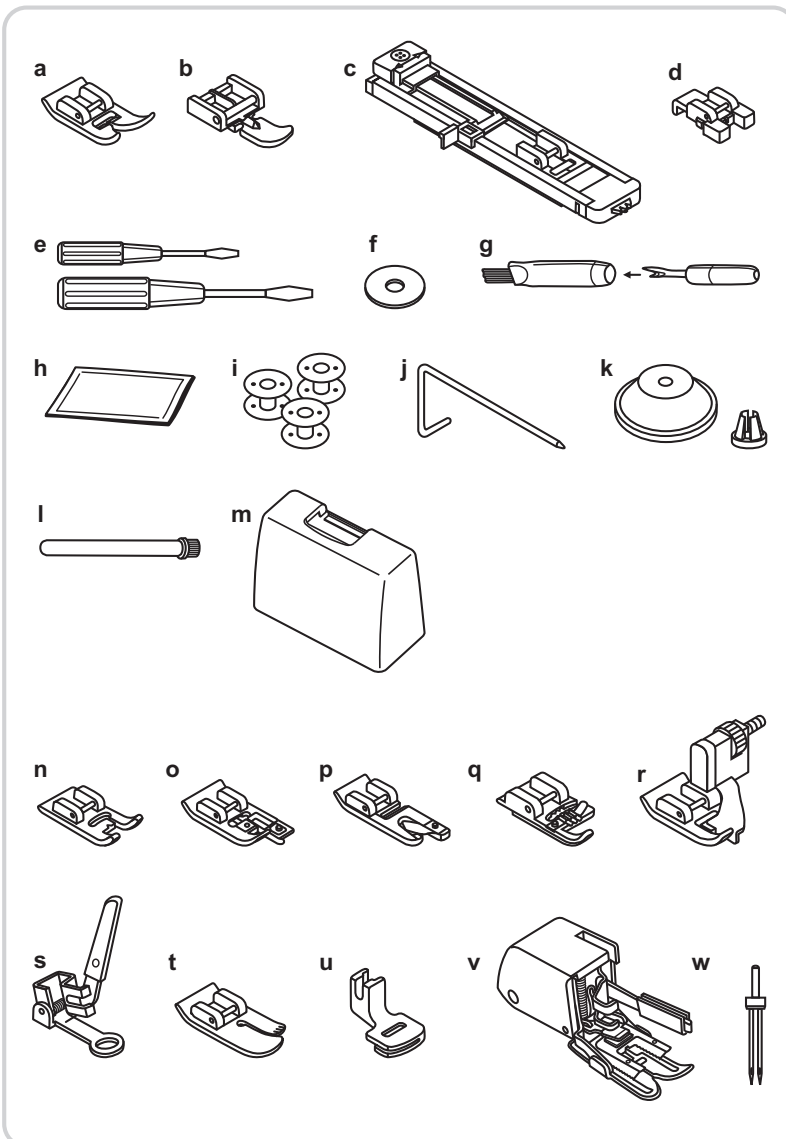


Fitting the snap-in sewing table

Keep the snap-in sewing table horizontal, and push it in the direction of the arrow. (1)

The inside of the snap-in sewing table can be utilized as an accessory box.

To open, flip cover down as shown. (2)



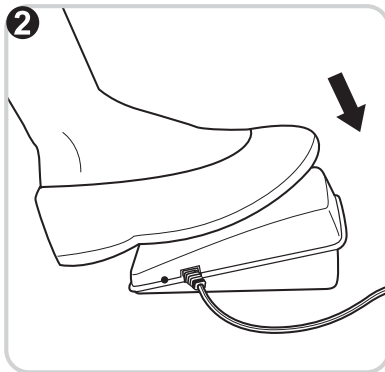
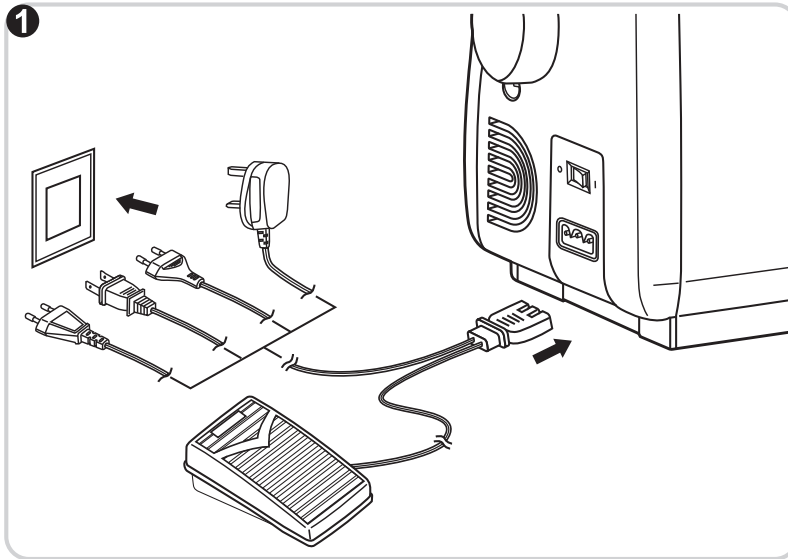
Accessories

Standard accessories

- a. Standard presser foot
- b. Zipper foot
- c. Buttonhole foot
- d. Button sewing foot
- e. Screwdriver (L & S)
- f. Spool pin felt
- g. Seam ripper/ brush
- h. Pack of needles (3x)
- i. Bobbin (3x)
- j. Quilt guide
- k. Spool cap
- l. Auxiliary spool pin
- m. Hard case

Optional accessories

- n. Decorate stitch foot
- o. Overcasting foot
- p. Rolled hemming foot
- q. Cording foot
- r. Blind stitch foot
- s. Quilt foot
- t. Straight stitch foot
- u. Gathering foot
- v. Walking foot
- w. Twin needle



Connecting machine to power source

Connect the machine to a power source as illustrated. (1)
The sewing machine is equipped with a polarized plug which must be used with an appropriate polarized outlet.

⚠ Attention:

Unplug the power cord when machine is not in use.

Foot control

The foot control pedal regulates the sewing speed. (2)

⚠ Attention:

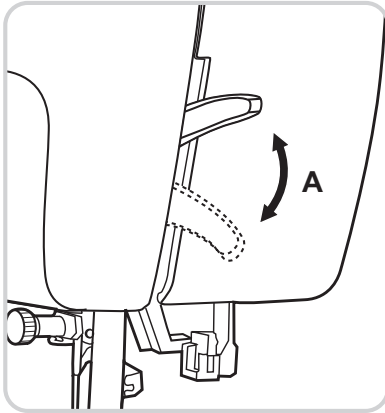
Consult a qualified electrician if in doubt as to connect machine to power source.

Unplug power cord when machine is not in use.

The foot control must be used with the appliance by KD-1902/FC-1902 (110-120V area), KD-2902/FC-2902D (220-240V area).

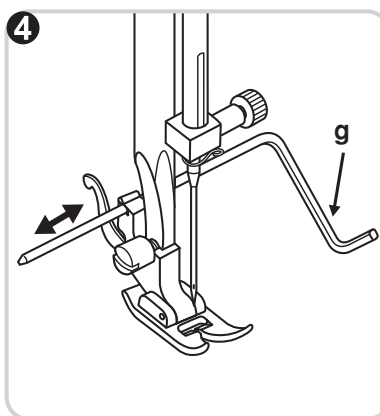
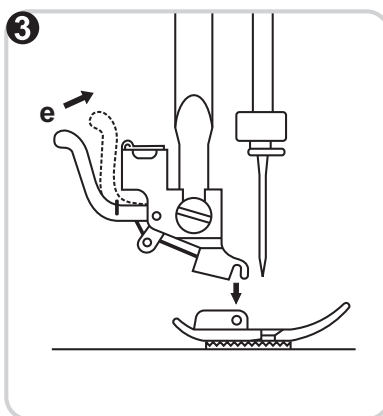
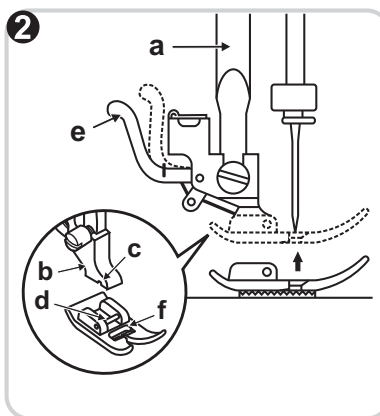
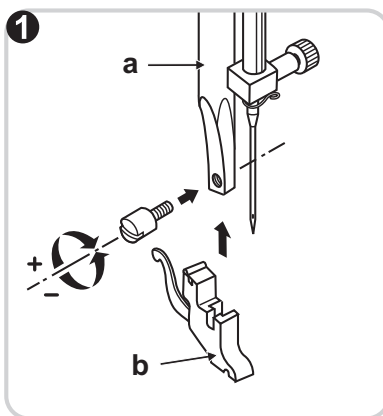
Sewing light

Press the main switch to "I" for power and light on. (1)



Two-step presser foot lever

When sewing several layers or thick fabrics, the presser foot can be raised a second stage for easy positioning of the work. (A)



Attaching the presser foot holder

Raise the presser foot bar (a). (1) Attach the presser foot holder (b) as illustrated.

Attaching the presser foot

Lower the presser foot holder (b) until the cut-out (c) is directly above the pin (d). (2) Raise the lever (e).

Lower the presser foot holder (b) and the presser foot (f) will engage automatically.

Removing the presser foot

Raise the presser foot. (3) Raise the lever (e) and the foot disengages.

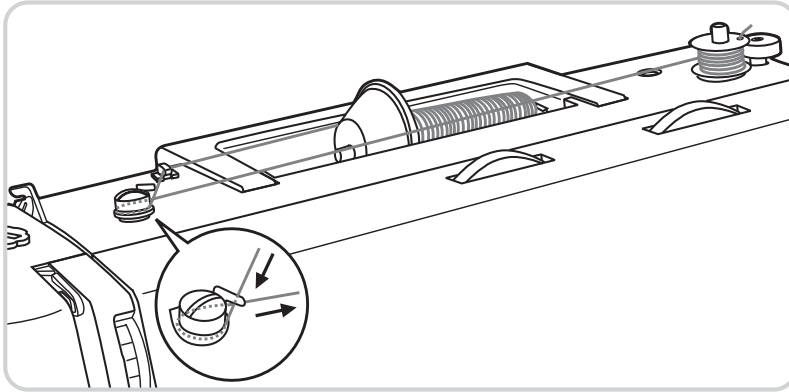
Attaching the quilt guide

Attach the quilt guide (g) in the slot as illustrated. Adjust as needed for hems, pleats, quilting, etc. (4)



Attention:

Turn power switch to "O" when carrying out any of the above operations!



Winding the bobbin

- Place the thread and spool cap onto the spool pin.
For small thread spools, place small side of spool cap next to spool. (1)

- Snap thread into thread guide. (2)

- Wind thread clockwise around bobbin winder tension discs. (3)

- Thread bobbin as illustrated and place on spindle. (4)

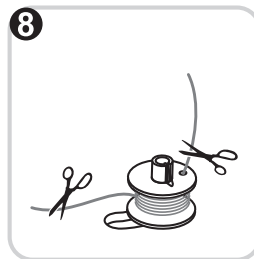
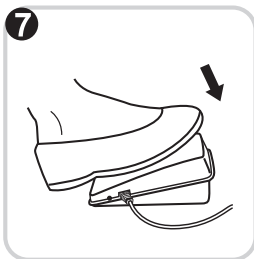
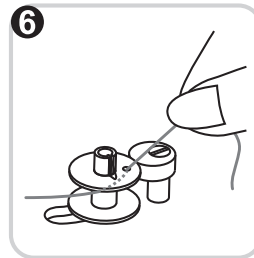
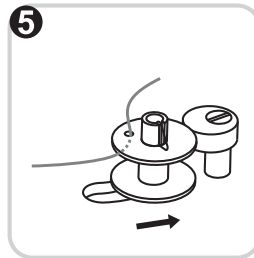
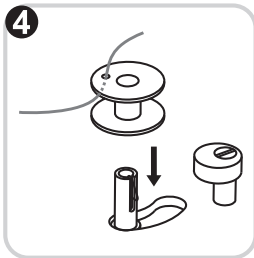
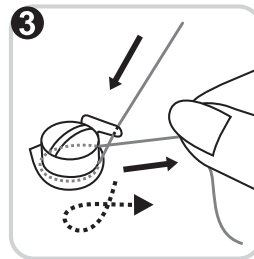
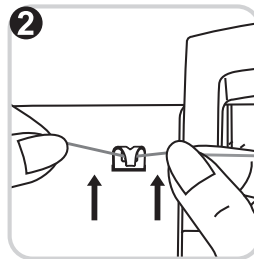
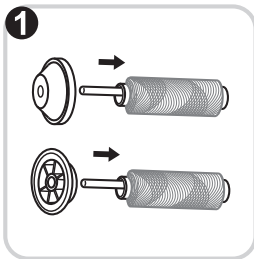
- Push bobbin spindle to right. (5)

- Hold thread end. (6)

- Step on foot control pedal. (7)

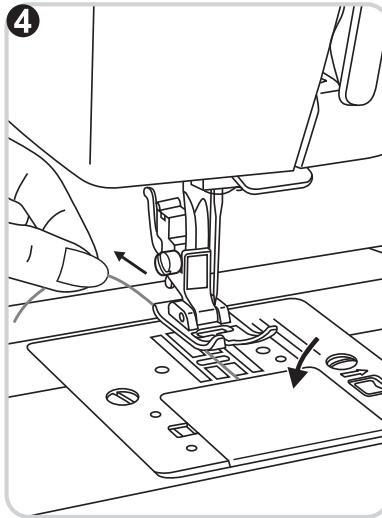
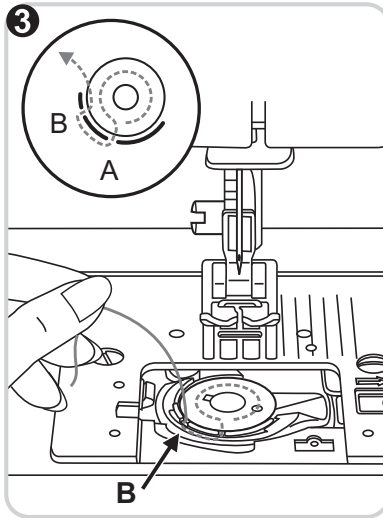
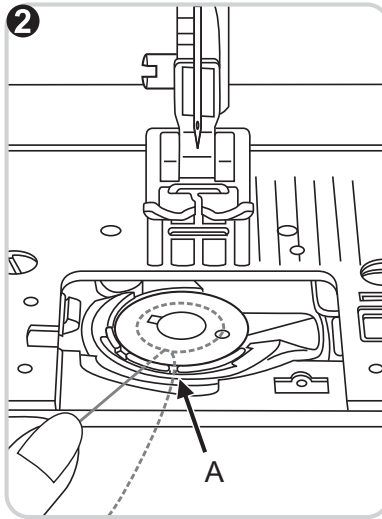
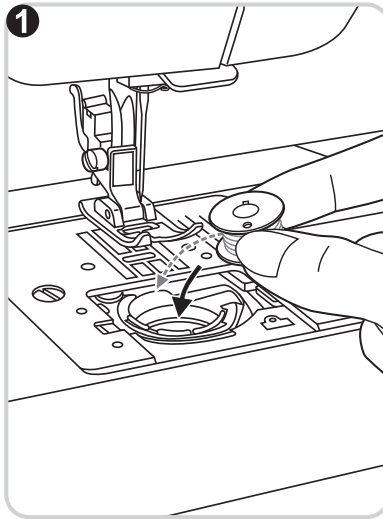
- Cut thread. (8)

- Push bobbin spindle to left (9) and remove.



⚠ Please Note:

When the bobbin winder spindle is in "bobbin winding" position, the machine will not sew and the hand wheel will not turn. To start sewing, push the bobbin winder spindle to the left (sewing position).



Inserting the bobbin

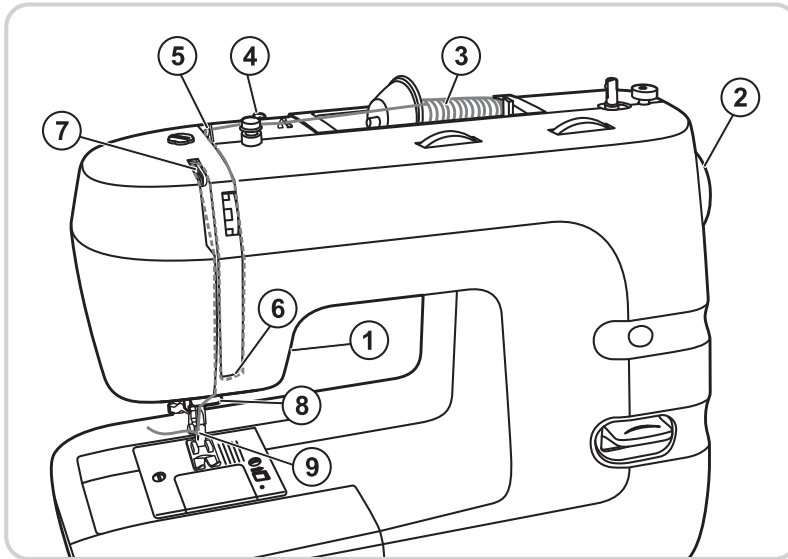
When inserting or removing the bobbin, the needle must be fully raised.

1. Inserting the bobbin in the bobbin holder with the thread running counter clockwise direction (arrow).
2. Pull the thread through the slit (A).
3. Draw the thread clockwise until it slips into the notch (B).
4. Pull out about 15 cm of thread and attached the bobbin cover plate.



Attention:

Turn power switch to "O" before inserting or removing the bobbin.



Threading the upper thread

This is a simple operation but it is important to carry out correctly as by not doing so several sewing problems could result.

- Start by raising the needle to its highest point, and also raise the presser foot to release the tension discs. (1/2)

- Lift up the spool pin. Place the thread and spool holder onto the spool pin. For small spools of thread, use the spool cap with the small end facing the spool of thread. (3)

- Draw thread from spool to the upper thread guide. (4)

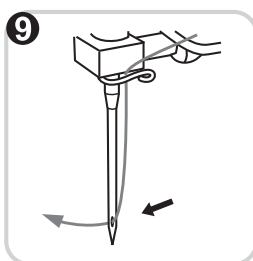
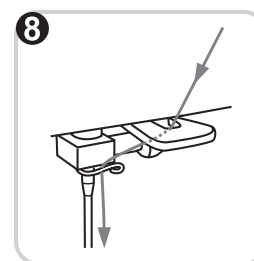
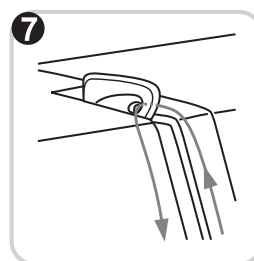
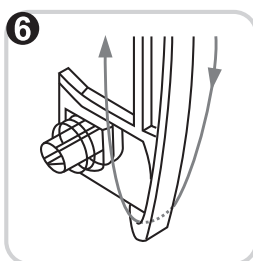
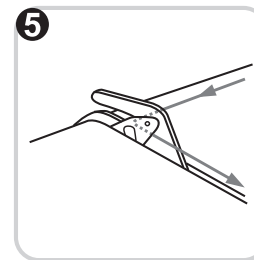
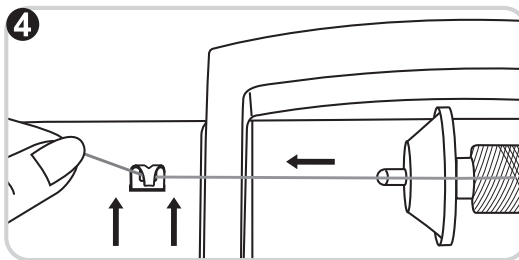
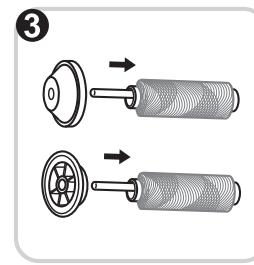
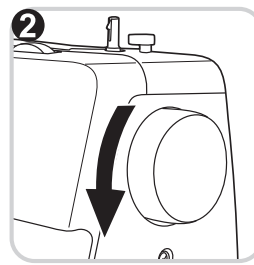
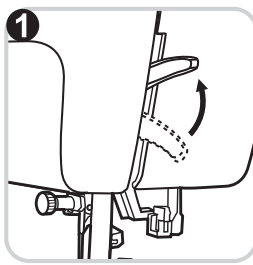
- Guide thread around thread guide pulling thread through pre-tension spring as illustrated. (5)

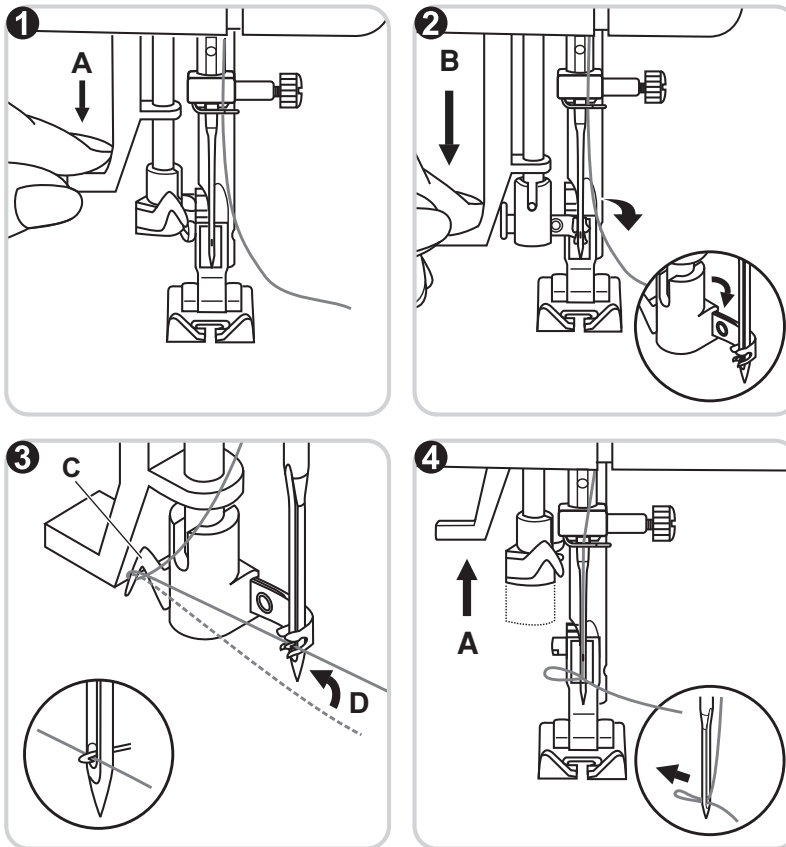
- Continue downwards on the right side of the large vertical thread guide passing under and up on the left side allowing the thread to engage in the check spring as it passes upwards. (6)

- At the top of this movement pass it from right to left through the slotted eye of the take-up lever and then downwards again. (7)

- Pass behind the flat, horizontal thread guide. (8)

- Now take it behind the thin wire needle clamp guide and then down to the needle which should be threaded from front to back. Pull about 6-8 inches of thread to the rear beyond the needle eye. (9)

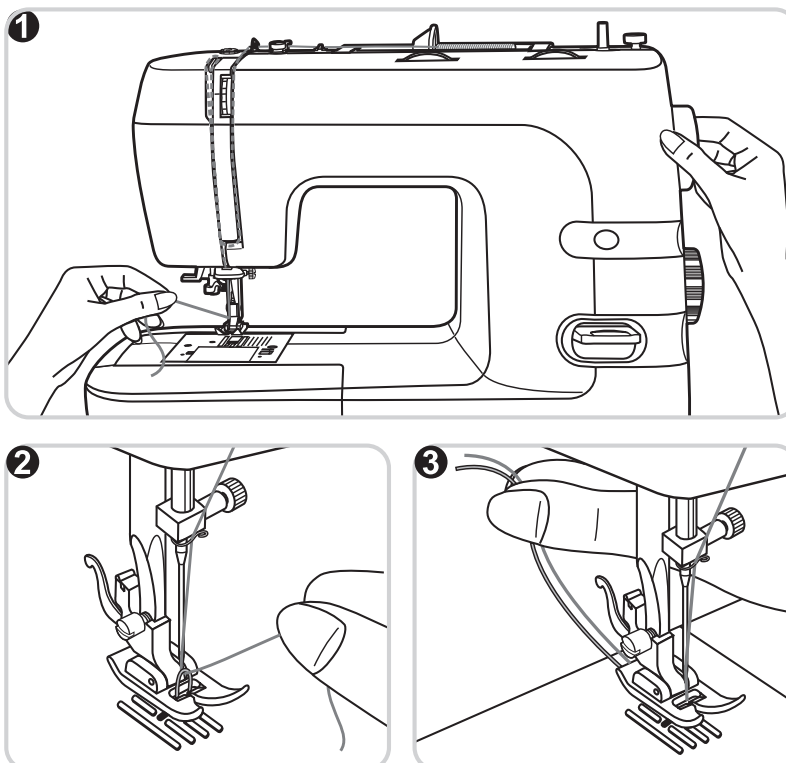




Automatic needle threader

- Raise the needle to its highest position.
- Press lever (A) right down.
- The threader automatically swings to the threading position (B).
- Take the thread round the hook (C).
- Take the thread in front of the needle so that the thread will insert into the hook (D) from bottom to top
- Release lever (A).
- Pull the thread through the needle eye.

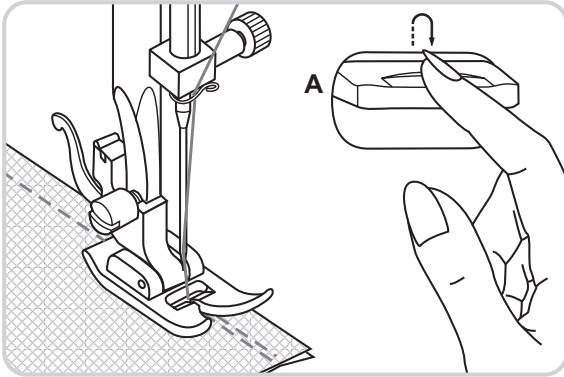
⚠ Attention:
Turn power switch to "O"!



Bringing up the lower thread

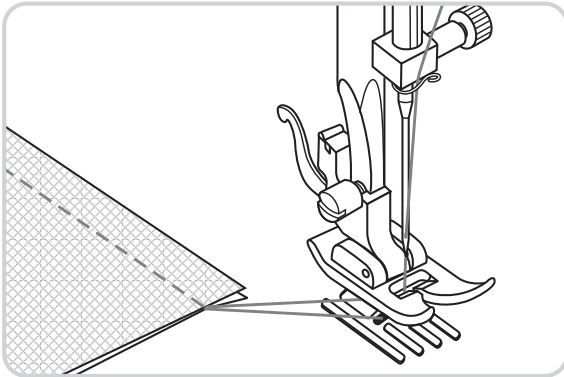
Hold the upper thread with the left hand. Turn the handwheel forwards until the needle is raised. (1)

Pull on the upper thread to bring the lower thread up through the stitch plate hole. Lay both threads to the back under the presser foot. (2/3)



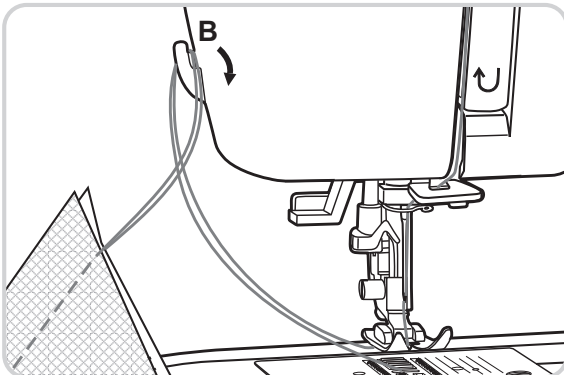
Reverse sewing

At the end of seam, press down the reverse sewing lever. Sew a few reverse stitches. Release the lever and the machine will sew forwards again. (A)



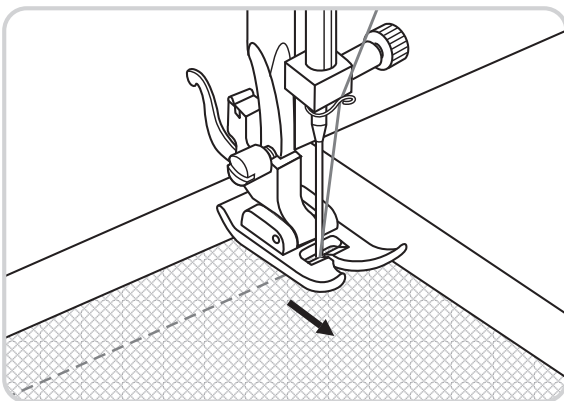
Removing the work

Turn the handwheel towards to bring the thread take up lever to its highest position, raise the presser foot and remove work towards the back.



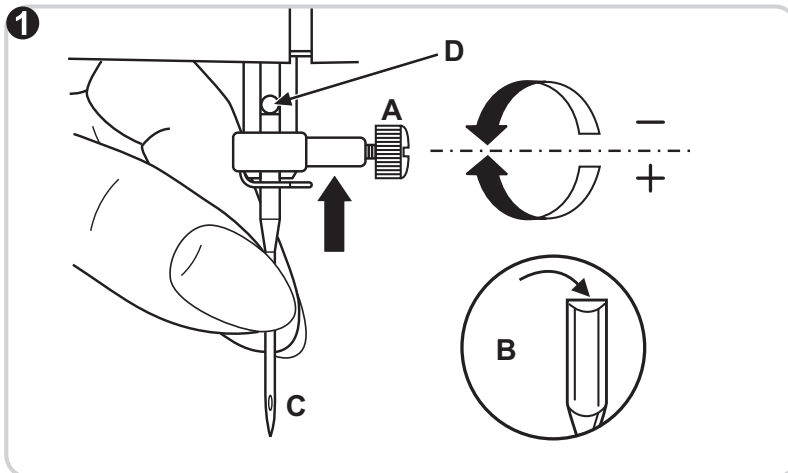
Cutting the thread

Hold the threads behind the presser foot with both hands, guide them to the slit (B) and press down.



Changing sewing directions

1. Stop the machine at the point where you wish to change directions with the needle still in the fabric.
2. Raise the presser foot and turn the fabric to line up its new direction using the needle as a turning point.
3. Lower the presser foot and start sewing in the new direction.



Inserting the needle

Change the needle regularly, especially if it is showing signs of wear and causing problems.

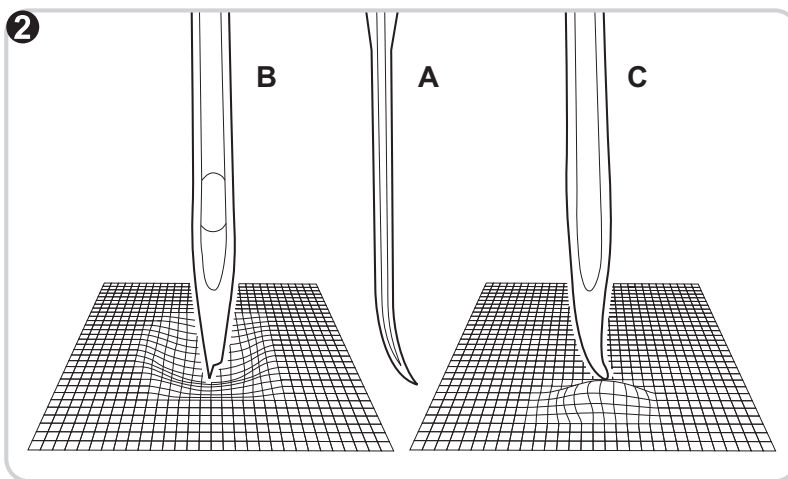
Insert the needle as illustrated as follows:

A. Loosen the needle clamp screw and tighten again after inserting the new needle.

(1)

B. The flat side of the shaft should be towards the back.

C/D. Insert the needle as far up as it will go.



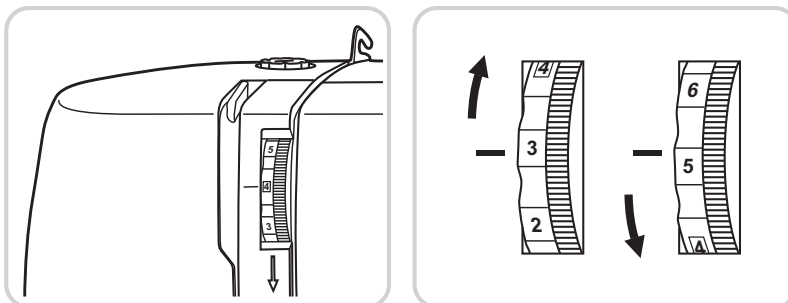
⚠ Attention:

Turn power switch to "O" before inserting or removing the needle.

Needles must be in perfect condition. (2)

Problems can occur with:

- A. Bent needles
- B. Damaged points
- C. Blunt needles



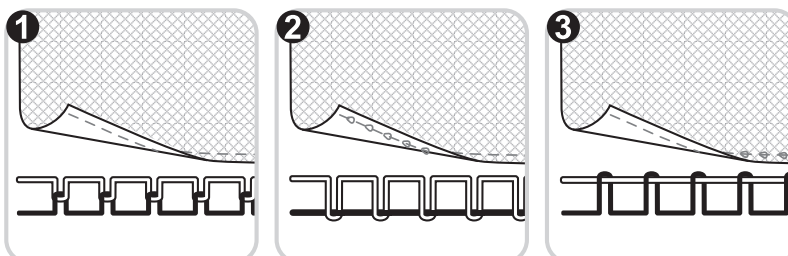
Thread tension

Upper thread tension

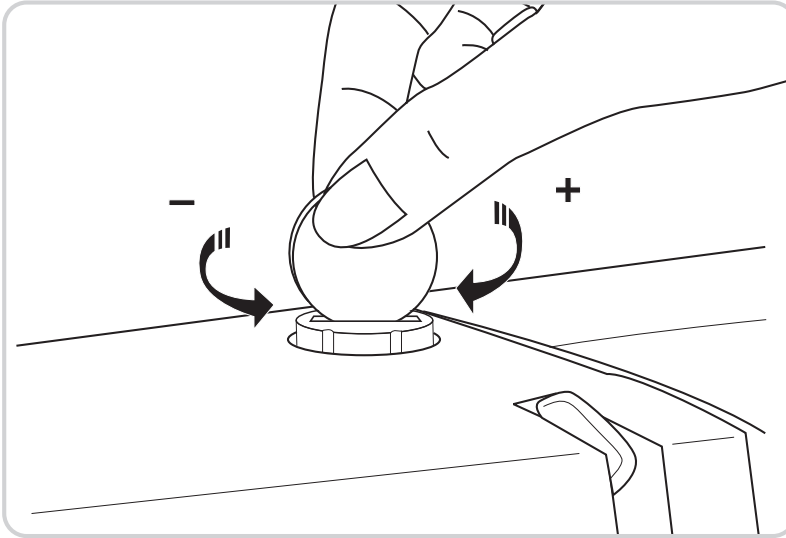
Basic thread tension setting: "4".

To increase the tension, turn the dial to the next number up.

To reduce the tension, turn the dial to the next number down.



- A. Normal thread tension
- B. Thread tension too loose
- C. Thread tension too tight

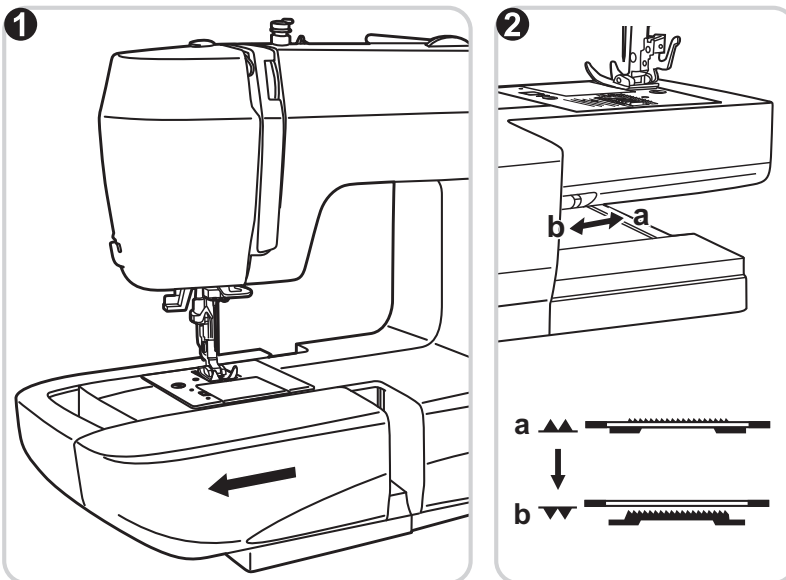


Adjusting presser foot pressure

The presser foot pressure of the machine has been pre-set and requires no particular readjustment according to the type of fabric (light-or-heavy weight).

However, if you need to adjust the presser foot pressure, turn the presser adjusting screw with a coin.

For sewing very thin fabric, loosen the pressure by turning the screw counter clockwise, and for heavy fabric, tighten by turning it clockwise.



How to drop feed dog

For ordinary sewing, keep the feed dog up, for freehand embroidery, sewing on buttons and darning, drop the feed dog.

To raise (a) and lower (b) feed dog.

Matching needle / fabric / thread

NEEDLE, FABRIC, THREAD SELECTION GUIDE

NEEDLE SIZE	FABRICS	THREAD
9-11(65-75)	Lightweight fabrics-thin cottons, voile, serge, silk, muslin, Qiana, interlocks, cotton knits, tricots, jerseys, crepes, woven polyester, shirt & blouse fabrics.	Light-duty thread in cotton, nylon or polyester.
12(80)	Medium weight fabrics-cotton, satin, kettleclote, sailcloth, double knits, lightweight woollens.	Most threads sold are medium size and suitable for these fabrics and needle sizes.
14(90)	Medium weight fabrics-cotton duck, woolen, heavier knits, terrycloth, denims.	Use polyester threads on synthetic materials and cotton on natural woven fabrics for best results.
16(100)	Heavyweight fabrics-canvas, woollens, outdoor tent and quilted fabrics, denims, upholstery material (light to medium).	Always use the same thread on top and bottom.
18(110)	Heavy woollens, overcoat fabrics, upholstery fabrics, some leathers and vinyls.	Heavy duty thread, carpet thread. (Use heavy foot pressure-large numbers.)

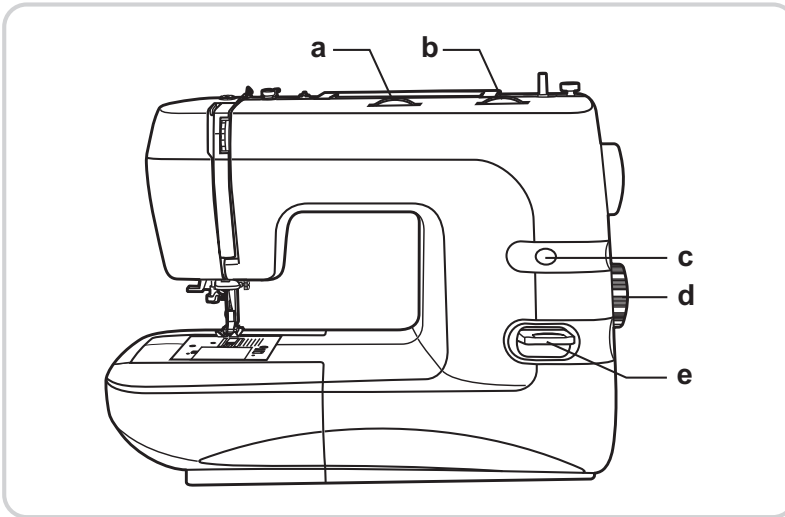
 **IMPORTANT:** Match needle size to thread size and weight of fabric

NEEDLE, FABRIC SELECTION

NEEDLES	EXPLANATION	TYPE OF FABRIC
HAx1 15x1	Standard sharp needles. Sizes range thin to large. 9 (65) to 18 (110)	Natural woven fabrics-wool, cotton, silk, etc. Qiana. Not recommended for double knits.
15x1/705H (SIN)	Semi-ball point needle, scarfed. 9 (65) to 18 (110)	Natural and synthetic woven fabrics, polyester blends. Knits-polyesters, interlocks, tricot, single and double knits. Can be used instead of 15x1 for sewing all fabrics.
15x1/705HS (SUK)	Full ball point needle 9 (65) to 18 (110)	Sweater knits, Lycra, swimsuit fabric, elastic.
130 PCL	Leather needles. 12 (80) to 18 (110)	Leather, vinyl, upholstery. (Leaves smaller hole than standard large needle.)

 **Note:**

1. Twin needles, can be purchased for utility and decorative work.
2. When sewing with twin needles, the stitch width dial should be set at less than "4".
3. European needles show sizes 65, 70, 80 etc. American and Japanese needles show size 9, 11, 12 etc.
4. Replace needle often (approximately every other garment) and / or at first thread breakage or skipped stitches.
5. Use a backing for fine or stretchy fabrics.



How to choose your pattern

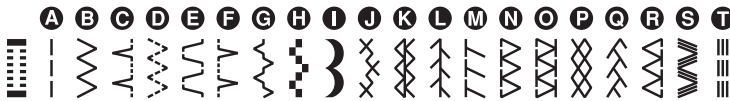
For straight stitch select pattern "A" with pattern selector dial. Adjust the stitch length with the stitch length dial. You may choose any needle position, by turning the stitch width dial.

For zigzag stitch, select pattern "B" with pattern selector dial. Adjust the stitch length and stitch width according to the fabric being used.

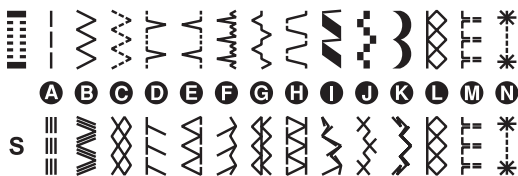
To obtain any of the other patterns shown in the upper row on the stitch selection panel, select the letter above the stitch with the stitch selector dial. Adjust the stitch length and the stitch width with the control dials according to the result desired.

To obtain any of the patterns on the second row, turn the stitch length dial to "S", select the pattern desired with pattern selector dial, and adjust the stitch width with the stitch width dial. (HZL-355Z, HZL-357Z)

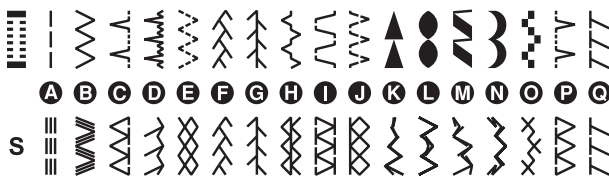
HZL-353Z Series



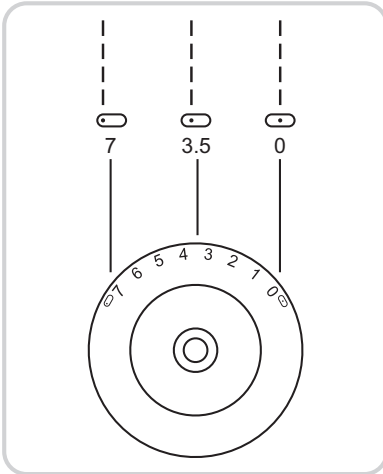
HZL-355Z Series



HZL-357Z Series



- a. Stitch width dial
- b. Stitch length dial
- c. Stitch display
- d. Pattern selector dial
- e. Reverse lever

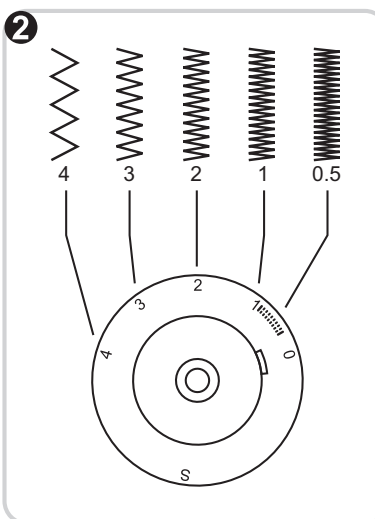
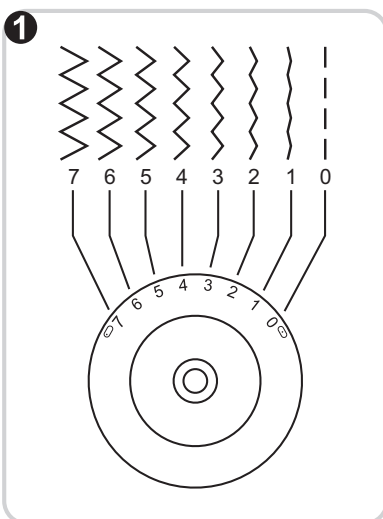
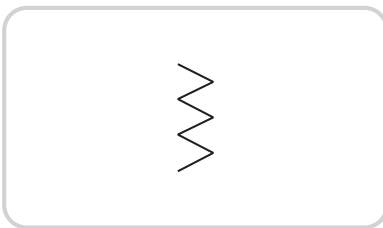


Straight stitching and needle position

Turn the stitch selection dial so that the pointer is set to the straight stitch.

Generally speaking, the thicker the fabric, thread and needle, the longer the stitch should be.

Choose your needle position, from center position to left needle position by changing the stitch width dial from "0" to "7".



Zigzag stitching

Turn the stitch selection dial to zigzag stitch.

Function of zigzag dial

The maximum zigzag stitch width for zigzag stitching is "7"; however, the width can be reduced on any patterns. The width increases as you move zigzag dial from "0" - "7". For twin needle sewing, never set the width wider than "4". (1)

Function of stitch length dial while zigzagging

The density of zigzag stitches increase as the setting of stitch length dial approaches "0". Neat zigzag stitches are usually achieved at "2.5" or below. (2)

Satin stitch

Closed up zigzag stitches (close together) are referred to as a satin stitch. Set the stitch length between "0" - "1".

Sewing on buttons

Change presser foot to button sewing foot.

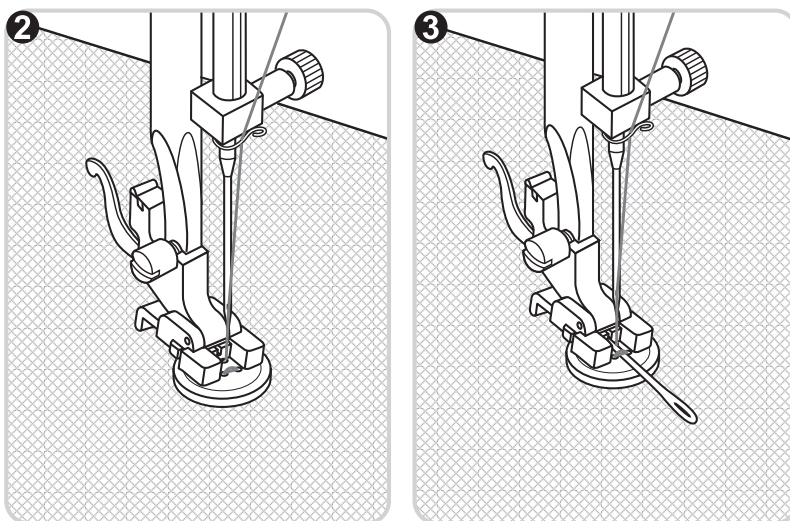
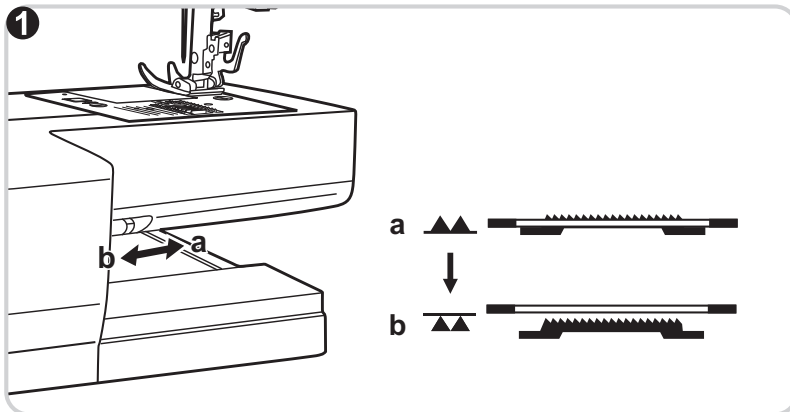
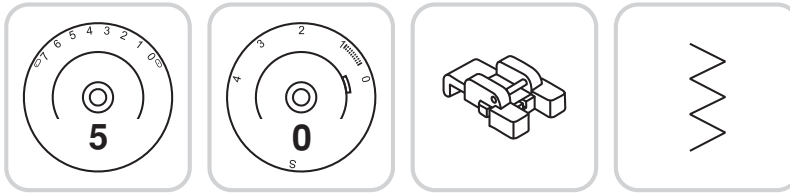
Move the drop feed control to "▲▲" to lower the feed dogs. (1)

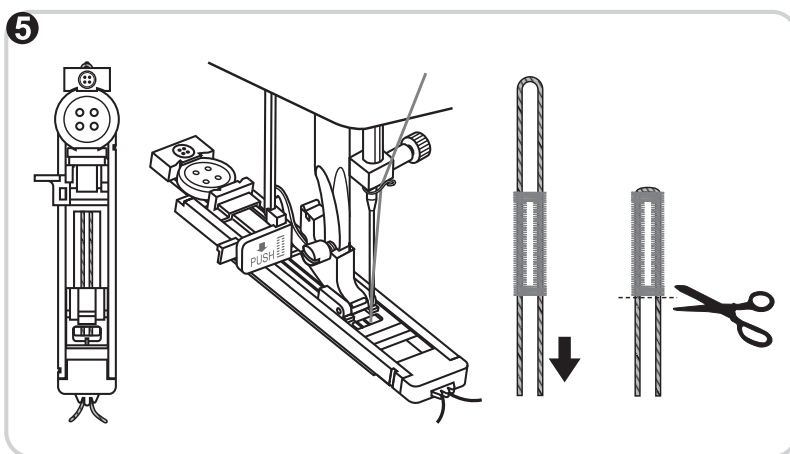
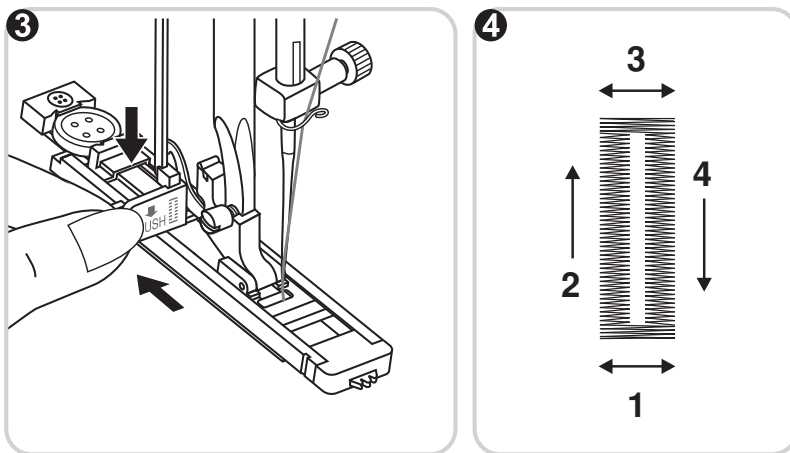
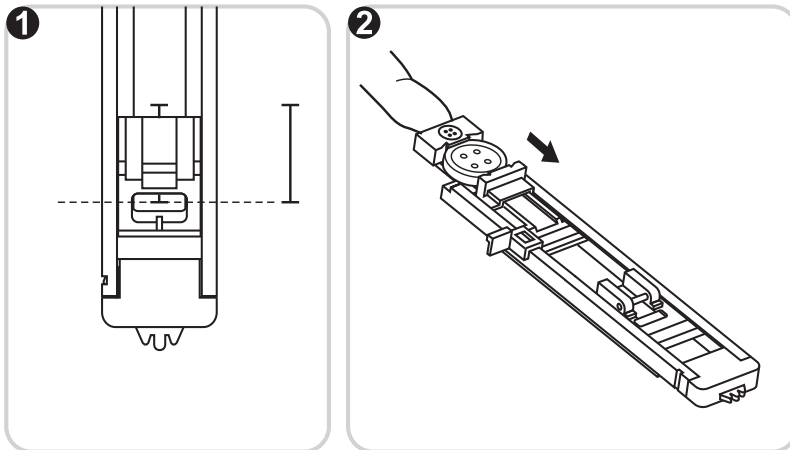
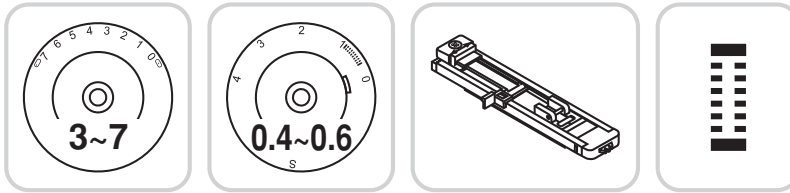
Position the work under the foot. Place the button in the desired position, lower the foot.

Set the pattern selector knob on zig zag stitch. Adjust the stitch width between "3" - "5" according to the distance between the two holes of the button. Turn the handwheel to check that the needle goes cleanly into the left and right holes of the button. Set the pattern selector knob on straight stitch, and sew a few securing stitches.

Set the pattern selector knob on zig zag stitch, and slowly sew on the button with about 10 stitches. Set the pattern selector knob on straight stitch, and sew a few securing stitches.

If a shank is required, place a darning needle on top of the button and sew. (3) For buttons with 4 holes, sew through the front two holes first (2), push work forward and then sew through the back two holes. (3)





How to sew buttonholes

Buttonhole-making is a simple process that provides reliable results.

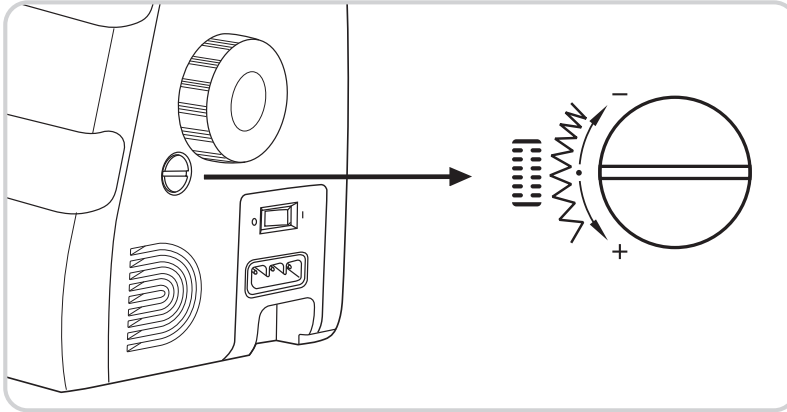
Making a Buttonhole

- Using tailor's chalk, mark the position of the buttonhole on the fabric.
- Attach the buttonhole foot and set the pattern selection dial to "1".
- Lower the presser foot aligning the marks on foot with the marks on the fabric as shown in fig. (1). (The front bar tack will be sewn first.)
- Open the button plate and insert the button. (2)
- Lower the buttonhole lever and push it back slightly as in fig. (3)
- While gently holding the upper thread, start the machine.
- Buttonhole stitching is done in the order shown in fig. (4)
- Stop the machine when the buttonhole is sewn.

Making a Buttonhole on Stretch Fabrics (5)

When sewing buttonholes on stretch fabric, place a gimp thread under the buttonhole stitching.

- Mark the position of the buttonhole on the fabric with the tailor's chalk, attach the buttonhole foot, and set the pattern selection dial to "1".
- Hook the gimp thread onto the back end of the buttonhole foot, then bring the two gimp thread ends to the front of the foot, insert them into the grooves and temporarily tie them there.
- Lower the presser foot and start sewing.
- * Set the stitch width to match the diameter of the gimp thread.
- Once sewing is completed, gently pull the gimp thread to remove any slack, then trim off the excess.



Left and right side balance for buttonhole

Stitch density on right and left sides of buttonhole can be adjusted by button-hole balance control dial.

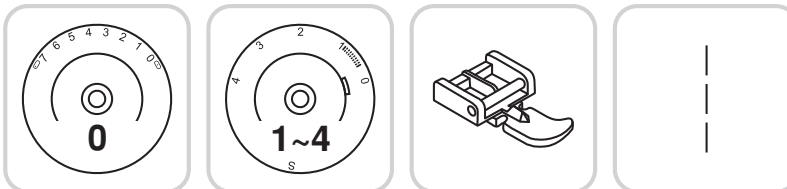
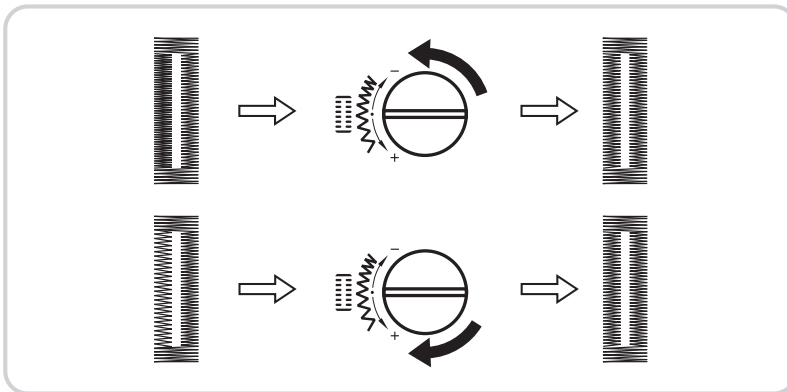
This dial should usually be in a neutral position. (between "+" and "-")

If the stitches on the left side of the buttonhole are too close together, turn the dial to the left (+).

* Turning dial to the left opens left side.

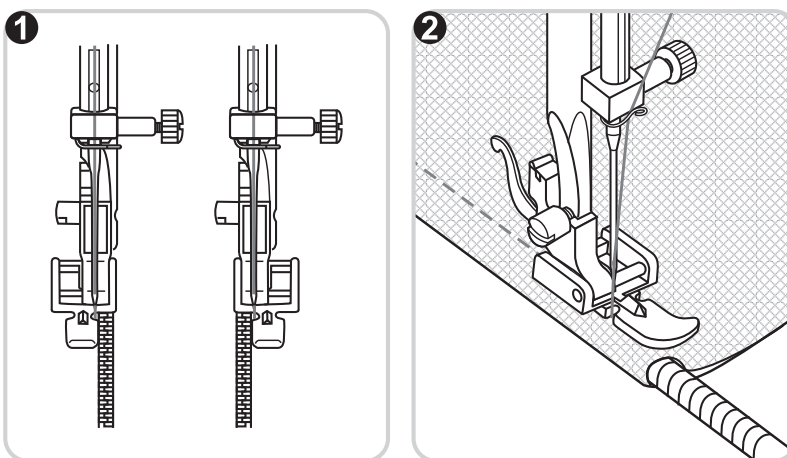
If the stitches on the left side of the buttonhole are too open, turn the dial to the right (-).

* Turning dial to the right closes left side.



Zippers and piping

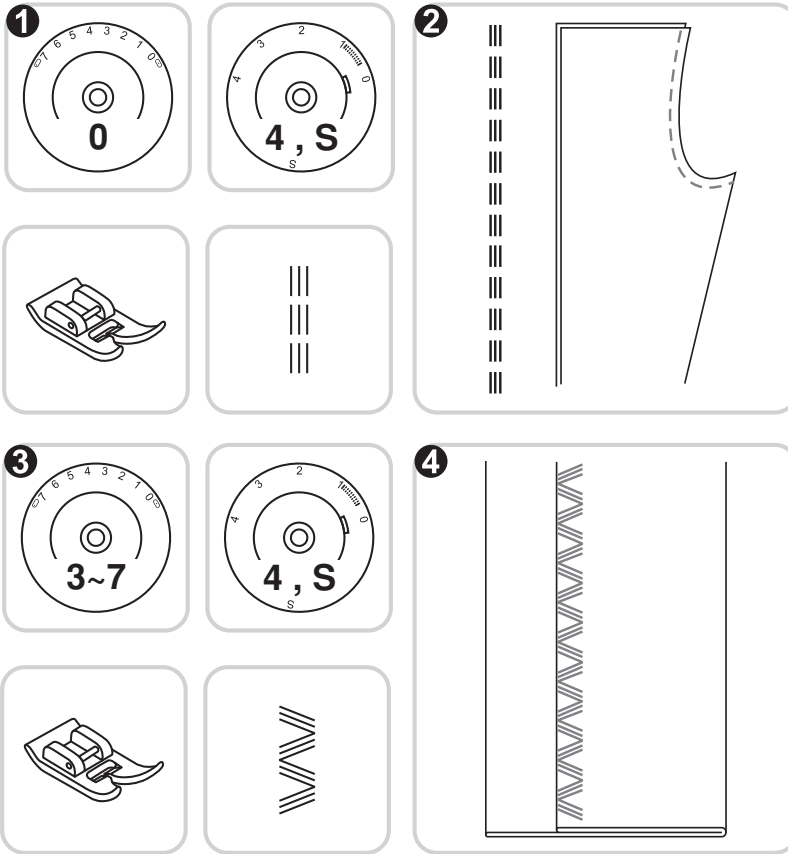
The zip foot can be inserted right or left, depending on which side of the foot you are going to sew. (1)



To sew past the zip pull, lower the needle into the fabric, raise the presser foot and push the zip pull behind the presser foot. Lower the foot and continue to sew.

It is also possible to sew in a length of cord, into a bias strip to form a 'welt'.

Set stitch length control between "1" - "4" (according to thickness of fabric). (2)



Stitch selection

Turn the stitch length dial to "4".
(HZL-353Z)

Turn the stitch length dial to "S".
(HZL-355Z, HZL-357Z)

Triple straight stitch: (1/2)

For hardwearing seams.

The machine sews two stitches forwards and one stitch backwards.

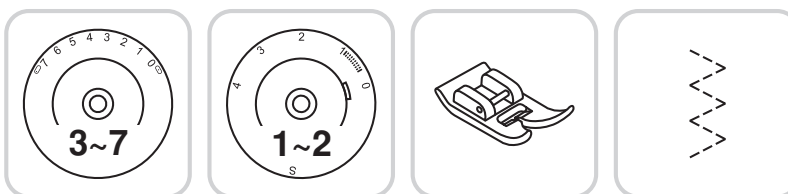
This gives triple reinforcement.

Triple zig-zag: (3/4)

For hardwearing seams, hems and decorative seams.

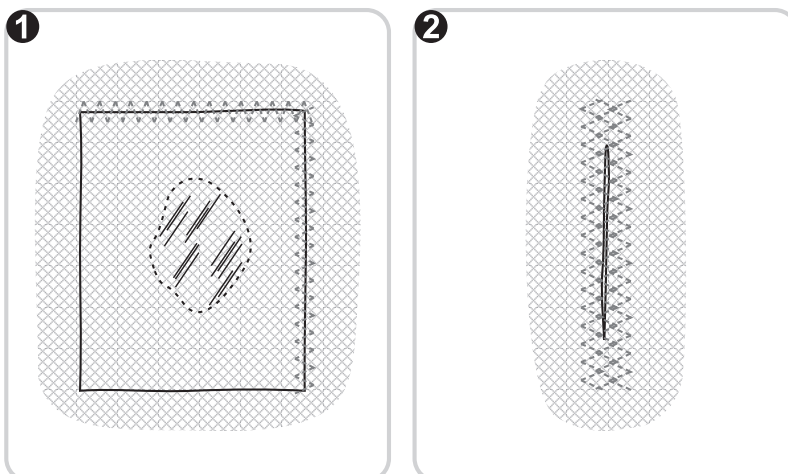
Adjust the stitch width dial to between "3" and "7".

Triple zig-zag is suitable for firm fabrics like denim, corduroy, etc.



3-step zig-zag

Sewing on lace and elastic, darning, mending, reinforcing edges.

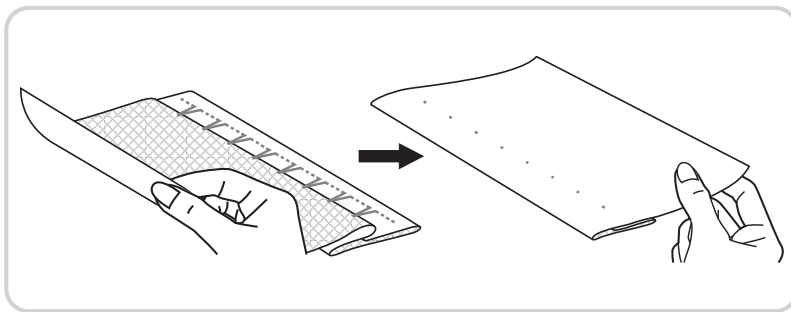
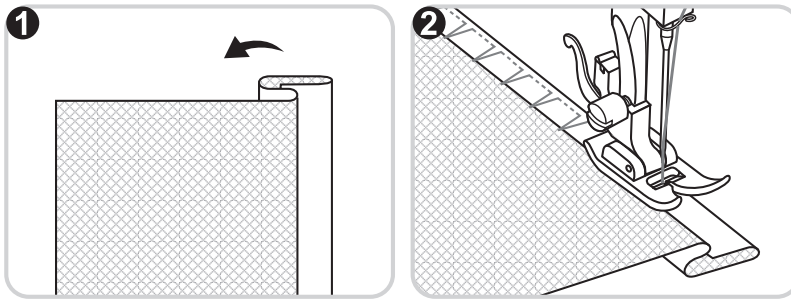
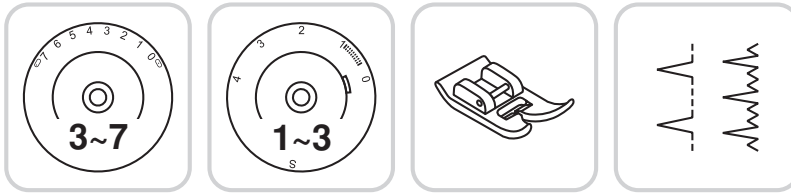


Place patch in position.

The stitch length can be shortened to produce very close stitches. (1)

When mending tears, it is advisable to use a piece of backing fabric to reinforce. The stitch density can be varied by adjusting the stitch length. First sew over the center and then overlap on both sides.

Depending on the type of fabric and damage, sew between 3 and 5 rows. (2)



Blind hem

For hems on curtains, trousers, skirts, etc.

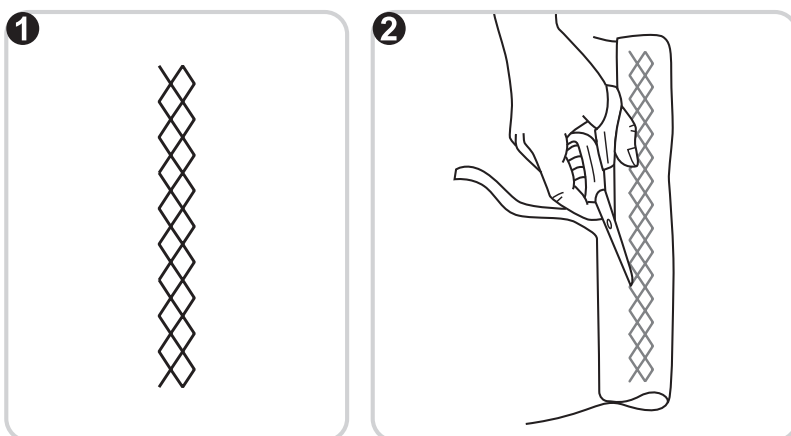
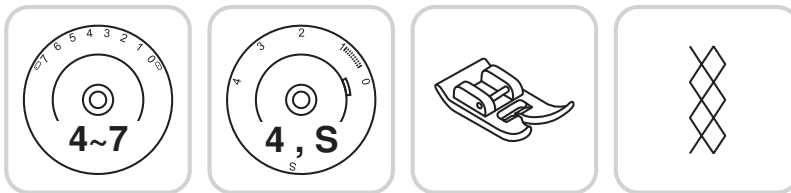
..w..w. Blind hem for stretch fabrics.
(HXL-355Z, HXL-357Z)

..A...A. Blind hem for firm fabrics.

Turn up the hem to the desired width and press. Fold back (as shown in Fig. 1) against the right side of the fabric with the top edge of the hem extending about 7 mm (1/4") to the right side of the folded fabric.

Start to sew slowly on the fold, making sure the needle touches slightly the folded top to catch one or two fabric threads. (2)

Unfold the fabric when hemming is completed and press.



Smocking stitch

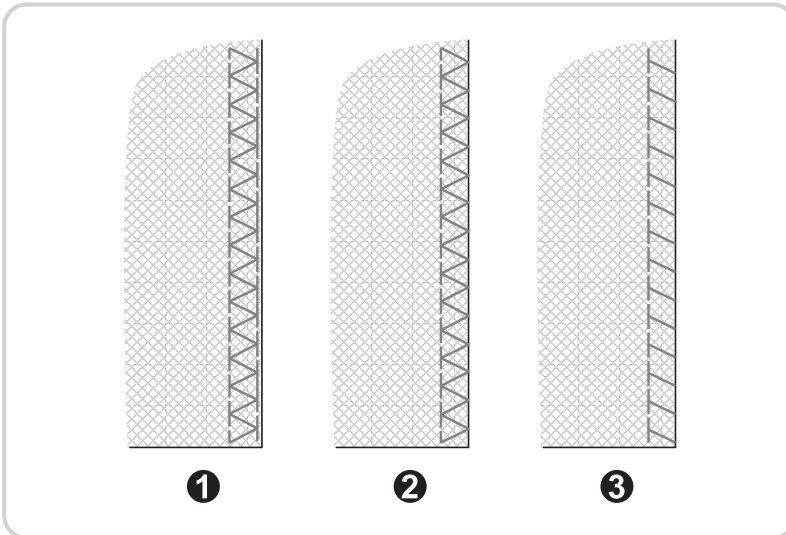
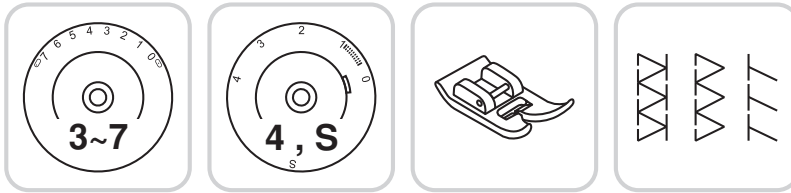
Turn the stitch length dial to "4".
(HXL-353Z)

Turn the stitch length dial to "S".
(HXL-355Z, HXL-357Z)

Seams, hems, T-shirts, underwear, etc.

This stitch can be used for all types of jersey as well as for woven fabrics. (1)

Sew at 1 cm (1/4") from the fabric edge and trim the surplus fabric. (2)



Overlock stitches

Turn the stitch length dial to "4".
(HZL-353Z)

Turn the stitch length dial to "S".
(HZL-355Z, HZL-357Z)

Seams, neatening, visible hems.

Double overlock stitch (1):

For fine knits, handknits, seams.

Standard overlock (2):

For fine knits, jerseys, neck edges, ribbing. (HZL-353Z, HZL-357Z)

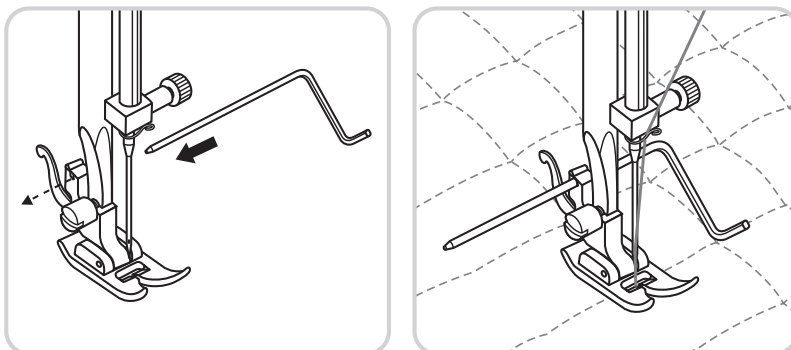
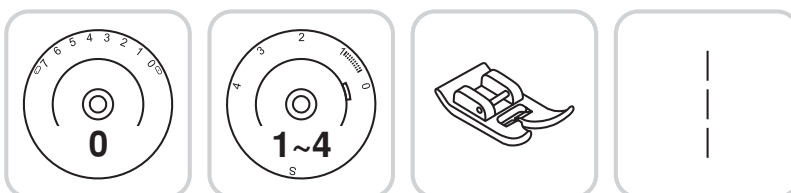
Stretch overlock (3):

For fine knits, jerseys, neck edges, ribbing.

All overlock stitches are suitable for sewing and neatening edges and visible seams in one operation. When neatening, the needle should just go over the edge of the fabric.

⚠ Attention:

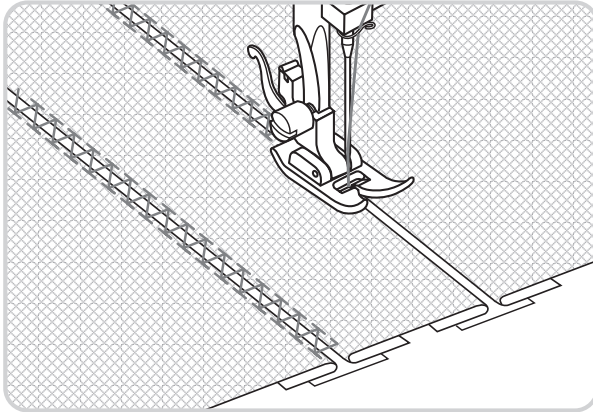
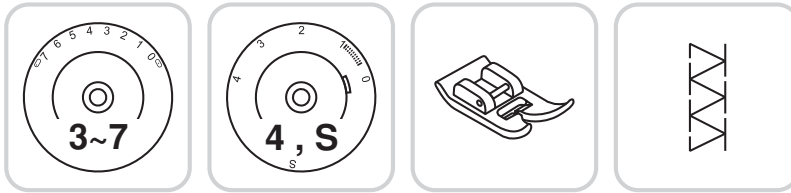
Use new needles or ball point needles! or stretch needle!



Quilting

Insert the quilt guide in presser foot holder and set the space as you desired.

Move the fabric over and sew successive rows with the guide riding along on the previous row of stitching.



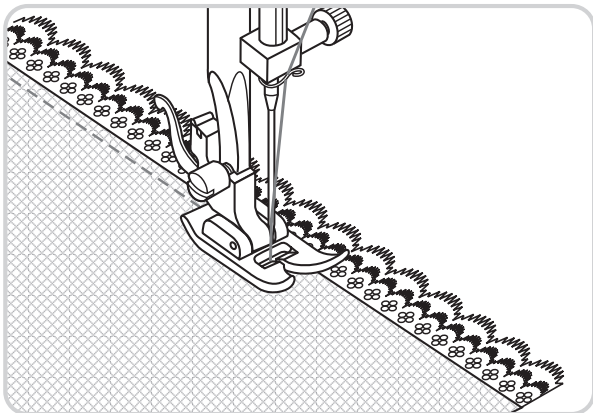
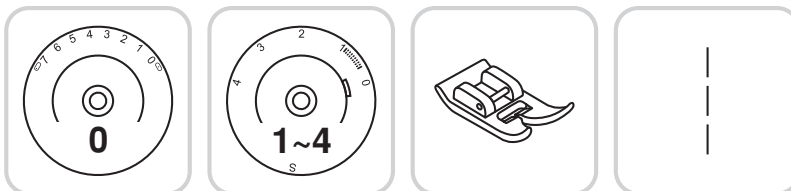
Patch work

Turn the stitch length dial to "4".
(HZL-353Z)

Turn the stitch length dial to "S".
(HZL-355Z, HZL-357Z)

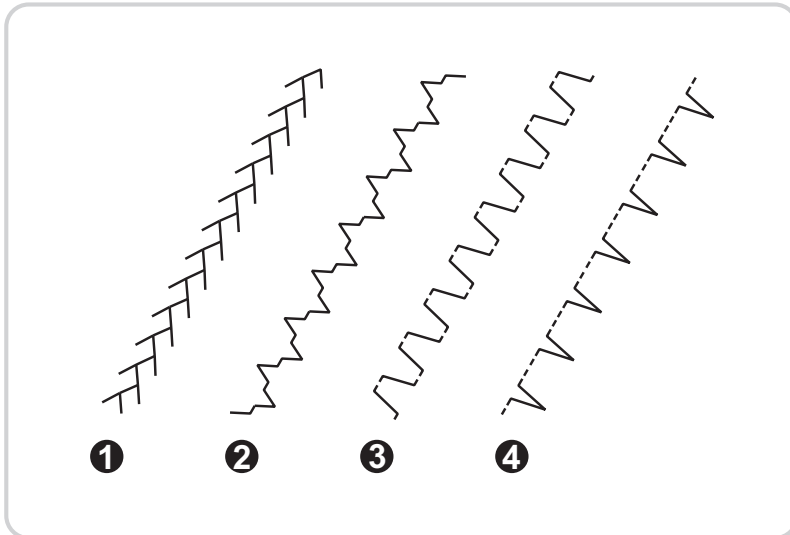
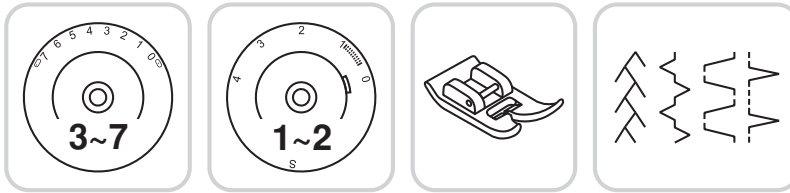
These stitches are used to join two pieces of fabric while leaving a space between their edges.

- Fold over the edges of the two pieces of fabric for the hem and baste the edges to a thin piece of paper leaving a small space between them.
- Stitch along the edge, pulling both threads slightly when beginning to sew.
 - * Use thicker than normal threads for sewing.
- After sewing, remove the basting and the paper. Finish by tying knots on the reverse side at the beginning and the end of the seams.



Attaching lace

- Turn stitch length dial to the desired length.
- Turn the stitch selector to straight stitch, center needle position.
- Fold in the edge of the fabric (approximately 6 mm, 1/4").
- Place the lace under the folded edge of the fabric allowing it to underlap the fabric slightly as required by the pattern of the lace.
- Sew on the edge of the fabric fold.
- You can add a decorative touch by using the satin stitch to sew the lace.



Practical stitches

Set the machine as illustrated. Turn the stitch width dial and stitch length dial to suit the fabric.

Feather stitch (1)

For decorative joining seam for a fagotted effect. (HZL-353Z, HZL-357Z)

Bridging (2)

For seams, place mats, tablecloths.

Decorative joining seam for a fagotted effect. Gathering with cord or shirring elastic.

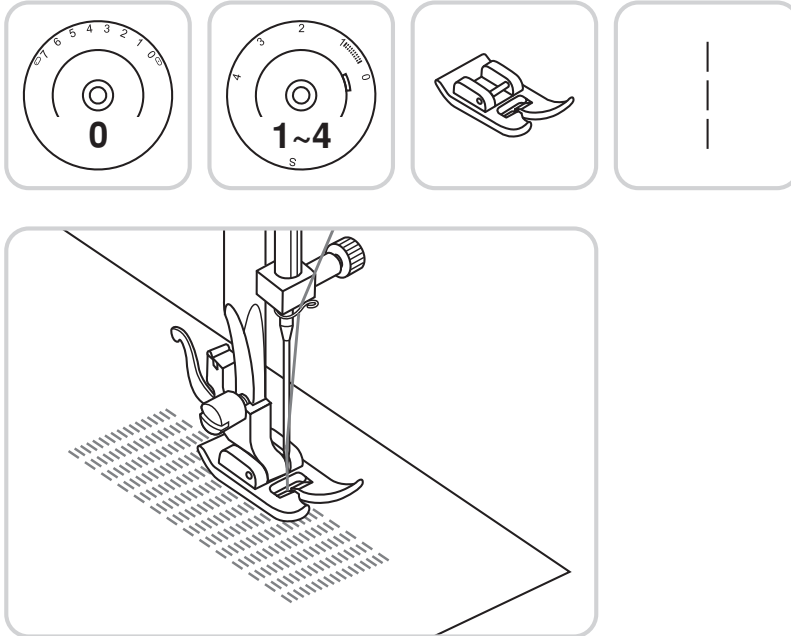
Rampart (3)

For flat joining seams, sewing on elastic, visible hems. This stitch can be used for firm, thicker fabrics.

Shell hem (4)

For decorative edges. Suitable for edges on sheer, fine and stretch fabrics. The larger stitch should go just over the edge of the fabric to create the shell effect.

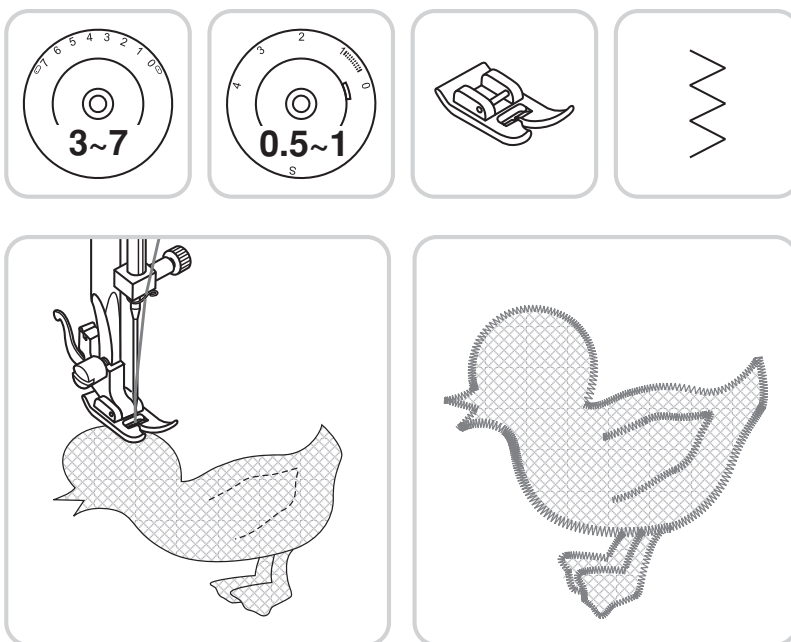
- This stitch requires a tighter thread tension than normal.
- Place the fabric under the presser foot so that it will be sewn along the bias with the straight stitches sewn on the seamline and the zigzag stitches sewn slightly over the folded edge.
- Sew at a slow speed.



Darning

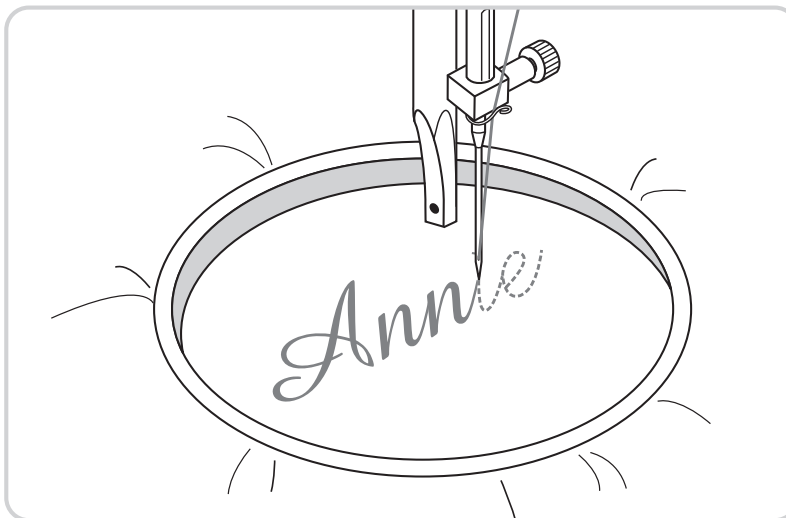
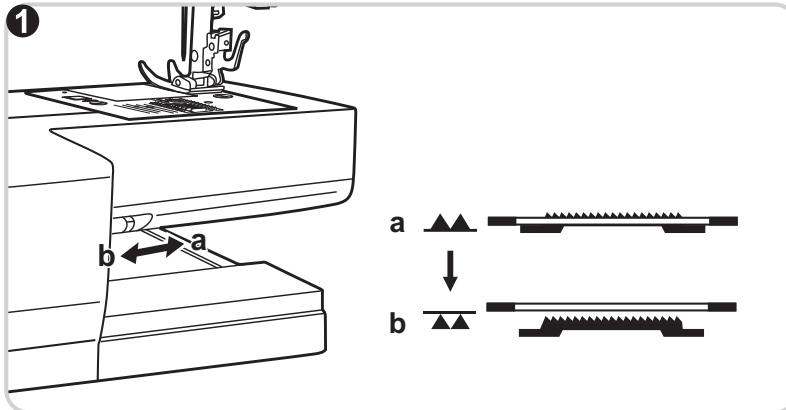
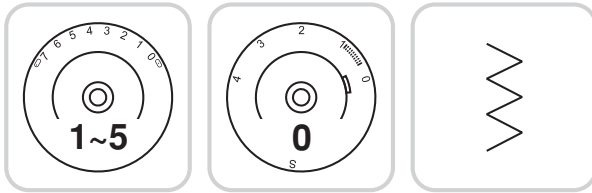
- Turn stitch length dial to the desired length.
- Turn stitch selector to straight stitch, center needle position.
- Position the fabric to be darned under the presser foot together with the under laying fabric to be used.
- Lower the presser foot and alternately sew forward or reverse using the lever.
- Repeat this motion until the area to be darned is filled with rows of stitching.

For reverse sewing instructions, see page 34.



Applique

- Turn stitch length dial to the desired length.
- Turn zig-zag width dial to small width.
- Cut out the applique design and baste it to the fabric.
- Sew slowly around the edge of the design.
- Trim excess material outside the stitching. Make sure not to cut any stitches.
- Remove the basting thread.
- Tie top and bottom thread under the applique to avoid unraveling.



Monogramming and embroidering with embroidery hoop*

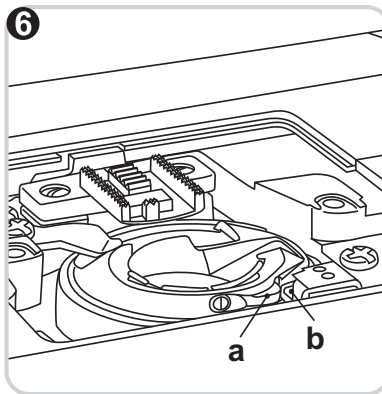
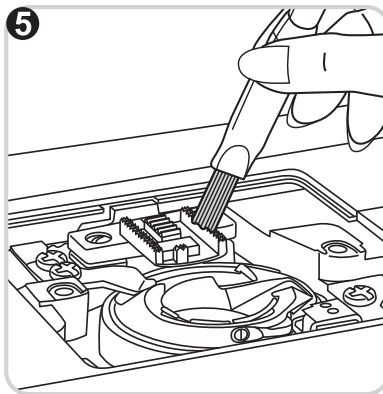
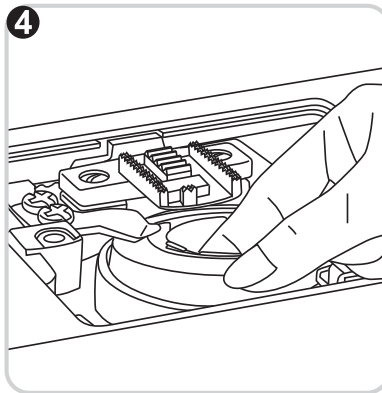
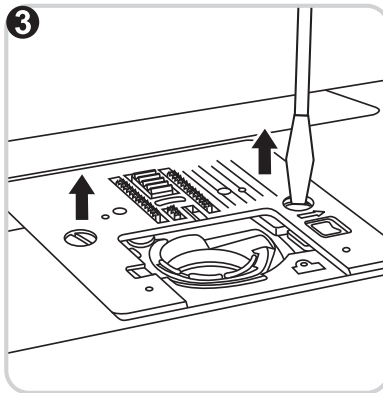
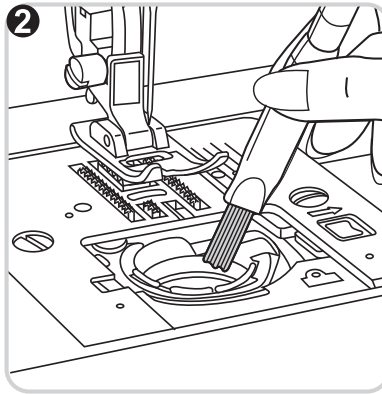
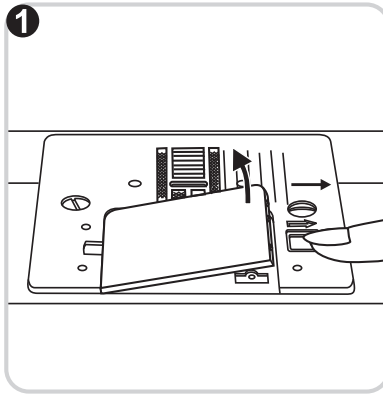
Drop the feed dogs. (1)

- Remove the presser foot and the presser foot holder.
- Lower presser foot lever before starting to sew.
- Adjust the stitch width according to the size of lettering or design.

Preparation for Monogramming and Embroidering*

- Draw the desired lettering or design on the right side of the fabric.
- Stretch the fabric between embroidery hoop as firmly as possible.
- Place the fabric under the needle.
- Make sure the presser foot bar is down in its lowest position.
- Turn the balance wheel towards you to bring up the lower thread through the fabric. Sew a few securing stitches at the starting point.
- Hold the hoop with thumb and forefingers of both hands while pressing the material with the middle and third fingers and supporting the outside of hoop with smaller finger.

* Embroidery hoop not included with machine.



Maintenance

Disconnect the machine from the mains before carrying out any maintenance or changing the sewing light bulb.

Cleaning

If lint and bits of thread accumulate in the hook, this will interfere with the smooth operation of the machine. Check regularly and clean the stitching mechanism when necessary.

Bobbin holder

1. Remove the bobbin cover plate and bobbin.
2. Clean the bobbin holder with a brush.

Hook race and feed dog

3. Remove the needle, presser foot and holder.
Remove the bobbin cover plate and bobbin.
Remove the screw holding the needle plate and remove the needle plate.
4. Lift up bobbin holder and remove it.
5. Clean the hook race, feed dog and bobbin holder with a brush. Also clean them, using a soft, dry cloth.
6. Replace the bobbin holder into the hook race so that the tip (a) fits to the stopper (b) as shown.

Replacing the LED Lamp

This appliance is equipped with a durable LED illumination, which is expected to last for the whole lifetime of the equipment. Please contact a local service agent, should the lamp nevertheless require to be replaced.

Trouble shooting guide

Problem	Cause	Correction
Upper thread breaks	<ol style="list-style-type: none"> 1. The machine is not threaded correctly 2. The thread tension is too tight 3. The thread is too thick for the needle 4. The needle is not inserted correctly 5. The thread is round wound the spool pin 6. The needle is damaged 	<ol style="list-style-type: none"> 1. Rethread the machine 2. Reduce the thread tension (lower number) 3. Select a larger needle 4. Remove and reinsert the needle (flat side towards the back) 5. Remove the reel and wind thread onto reel 6. Replace the needle
Skipped stitches	<ol style="list-style-type: none"> 1. The needle is not inserted correctly 2. The needle is damaged 3. The wrong size needle has been used 4. The foot is not attached correctly 	<ol style="list-style-type: none"> 1. Remove and reinsert needle (flat side towards the back) 2. Insert a new needle 3. Choose a needle to suit the thread and fabric 4. Check and attach correctly
Needle breaks	<ol style="list-style-type: none"> 1. The needle is damaged 2. The needle is not correctly inserted 3. Wrong needle size for the fabric 4. The wrong foot is attached 	<ol style="list-style-type: none"> 1. Insert a new needle 2. Insert the needle correctly (flat side towards the back) 3. Choose a needle to suit the thread and fabric 4. Select the correct foot
Loose stitches	<ol style="list-style-type: none"> 1. The machine is not correctly threaded 2. The bobbin case is not correctly threaded 3. Needle/ fabric/ thread combination is wrong 4. Thread tension wrong 	<ol style="list-style-type: none"> 1. Check the threading 2. Thread the bobbin case as illustrated 3. The needle size must suit the fabric and thread 4. Correct the thread tension
Seams gather or pucker	<ol style="list-style-type: none"> 1. The needle is too thick for the fabric 2. The stitch length is wrongly adjusted 3. The thread tension is too tight 4. Fabric puckers 	<ol style="list-style-type: none"> 1. Select a finer needle 2. Readjust the stitch length 3. Loosen the thread tension 4. Use a backing for fine or stretchy fabrics.
Uneven stitches, uneven feed	<ol style="list-style-type: none"> 1. Poor quality thread 2. The bobbin case is wrongly threaded 3. Fabric has been pulled 	<ol style="list-style-type: none"> 1. Select a better quality thread 2. Remove bobbin case and retread and insert correctly 3. Do not pull on the fabric while sewing, let it be taken up by the machine
The machine is noisy	<ol style="list-style-type: none"> 1. Fluff or oil have collected on the hook or needle bar 2. The needle is damaged 	<ol style="list-style-type: none"> 1. Clean the hook and feed dog as described 2. Replace the needle
The machine jams	Thread is caught in the hook	Remove the upper thread and bobbin case, turn the handwheel backwards and forwards by hand and remove the thread remnants.

וואנט יוקי ישראל

JUKI®

JUKI CORPORATION

2-11-1, Tsurumaki,
Tama-shi, Tokyo 206-8551, JAPAN
PHONE : (81)42-357-2341
FAX : (81)42-357-2379

Copyright © 2014 JUKI CORPORATION.
All rights reserved throughout the world.
Reservados todos los derechos en todo el mundo.
Tous les droits sont réservés à travers le monde.
Tutti i diritti riservati in ogni paese del mondo.
40145544

